

---

## WASHING EQUIPMENT

---

### WASHING MACHINE FOR 200L BUGGIES AND STANDARD CONTAINERS 21.6120.00 and 21.7120.00

The machine is designated for washing of 200 ltr. buggies (DIN 9797) and standard containers (up to 1200x1 000x800 mm). It is made entirely of stainless steel type DIN 1.4301 (AISI 304) grade with permission for contact with food - according to the standard.

21.6120.00 – electrical heating, automatic ventilation system

21.7120.00 – steam heating, automatic ventilation system

**The continuously working band filter and dosing system (with concentrate measurement) for washing liquid are options!**

Loading and unloading processes are manual. The washing process begins when the buggy/container is loaded, the door is closed manually and the "Start" button is pressed. The buggy or container are washed by means of a stainless steel pump and combination of rotating frame with nozzles (for inside washing) and fixed collectors with nozzles (for outside washing). Buggy's/container's bottom is also washed with special mounted collectors. Water (washing liquid) circulates in closed filtered cycle. Rinsing is done by fresh water from the set. There is combination of spraying heads and fixed collectors with nozzles for rinsing.

The control panel for loading/unloading and electrical control box can be mounted on the left or right side of the machine (according to the customer's requirements), but has to be on the same side.

**Options:**

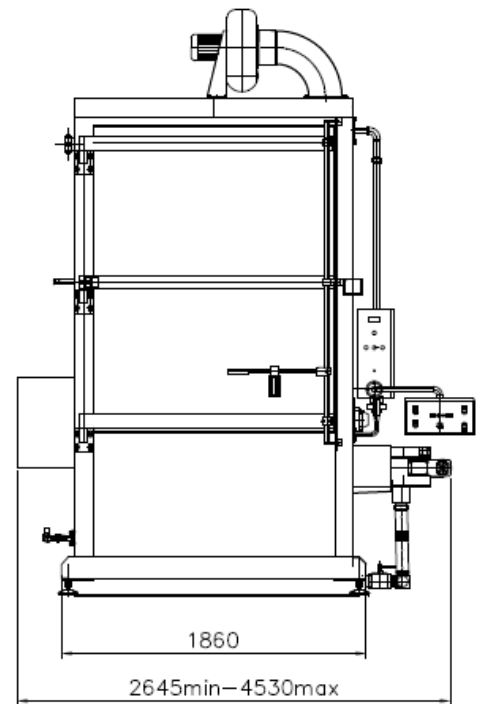
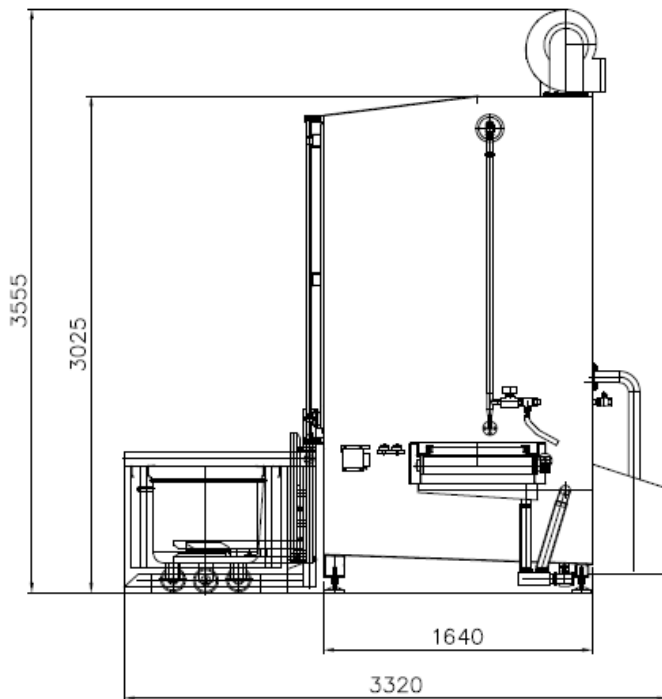
- Automatic system for detergent filling and dosing (with concentration measurement);
- Band filter with continuous operation, for the catchment and removal of solids;
- Drum filter with continuous operation, for the catchment and removal of solids.

Like option, the machine can be manufactured dual (for washing of two buggies/containers simultaneously).

**The machine complies with the Council Directives No. 2006/42/EC and 2006/95/EC and USDA regulations.**

# WASHING EQUIPMENT

---



## WASHING EQUIPMENT

---

### Technical data:

Capacity		
-buggies	pcs/h	max. 30
-containers	pcs/h	max. 25
Tank capacity	l	1100
Heating steam	Bar/ °C	Steam 3-10/135
Total installed power steam	kW	12
Heating electro	kW	66
Total installed power electro	kW	78
Supply voltage	V/Ph/Hz	400/3/50
Pump capacity/ pressure	m <sup>3</sup> /h/bar	90/3-4
Pump motor power	kW	11
Loading/unloading motor power	kW	0.55
Water outlet orifice		2"
Pressure of inlet water	bar	3-8

### Dimensions:

Length in working condition	mm	2200
Length with loading unit	mm	3318
Width	mm	2644-4530
Height without fan	mm	3025
Height with fan	mm	3548
Weight	kg	1450

# WASHING EQUIPMENT

---

## WASHING MACHINES FOR 200l BUGGIES AND STANDARD CONTAINERS

Art. No.	<b>21.6120.00</b>	<b>21.7120.00</b>
Dimensions(L,W,H-mm)	3318/2644/3548	3318/2644/3548
Designation	200l buggies / standard containers	200l buggies / standard containers
Capacity- pcs/h*	max 30/max 25	max 30/max 25
Execution-single/double	single	single
Filter - band/drum	no/no	no/no
Dosing/ventilation	no/yes	no/yes
Pre-washing/air-drying	no/no	no/no
Heating- electricity/steam	66 kW/no	no/3-10 bar
Miscellaneous	manual controlled (electrical driven) loading/unloading	manual controlled (electrical driven) loading/unloading
Pump	11 kW/90 m <sup>3</sup> /h / 3-4 bar	11 kW/90 m <sup>3</sup> /h / 3-4 bar
Installed power - kW	78	12
Power supply - electricity/water/steam/compres- sed air/drain	3x400 V/50Hz Water min. 3 bar, drain DN50	3x400 V/50Hz Water min. 3 bar, drain DN 50, steam 3-10 bar/135°C

\* Machine capacity can be regulated