

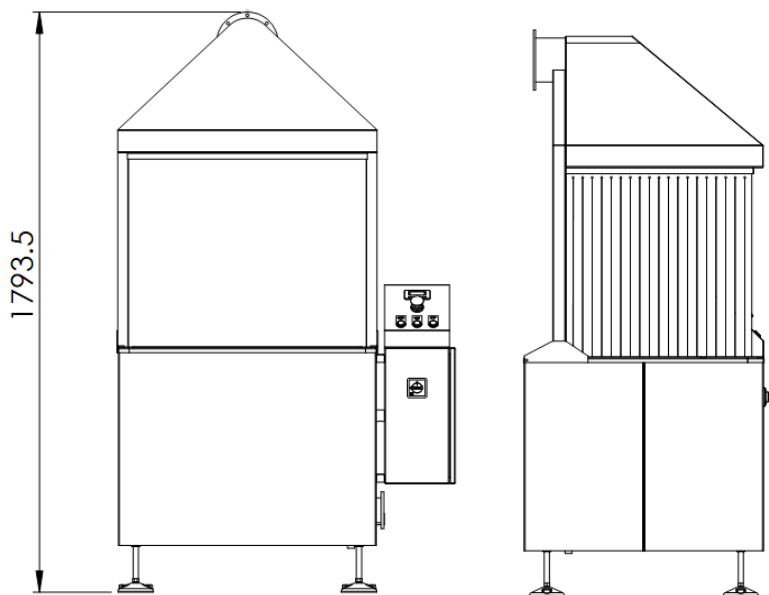
DAIRY PROCESSING EQUIPMENT

SHRINK TANK 62.5112.00

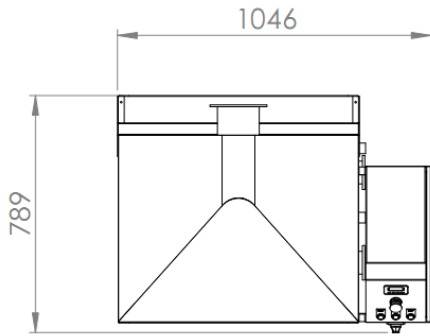
This machine is entirely made of stainless steel 1.4301 DIN (AISI 304), permitted in food industry.

The aspiration can be ordered as an option.

The machine complies with the Council Directives No. 2006/42/EC and 2006/95/EC and USDA regulations.



DAIRY PROCESSING EQUIPMENT



Technical Data:

Size	mm	400/600
Max weight	kg	50
Installed power	kW	18.5
Power supply	V/Ph/Hz	400/3/50
Air supply	bar	5
Heaters - 2 pcs	A/kW	18 (2x9)
Productivity	cycles / min	12
Volume	dm ³ (l)	200
Weight	kg	150

Dimensions:

Length	mm	1046
Weight	mm	789
Height	mm	1794



62.5110.01 – without aspiration