

## DOSER FOR PASTA PRODUCTS

### 61.2734.10

This machine is used for dosing of food-processing industry products with high viscosity /jams, creams, sauces, salads, etc. /.

It is designated for work in small and middle-size industries.

Maximum volume of the dosed product in Doser Art. № 61.2734.10 is up to 100 ml.

Maximum volume of the dosed product in accordance with the customers request could be made up to 1000 ml.

The dosing group is detachable, allowing fast and efficient cleaning. The accuracy of dosing is up to 2g.

The product to be dosed is poured into the bunker. The machine is designed with possibility to adjust the dosed product.

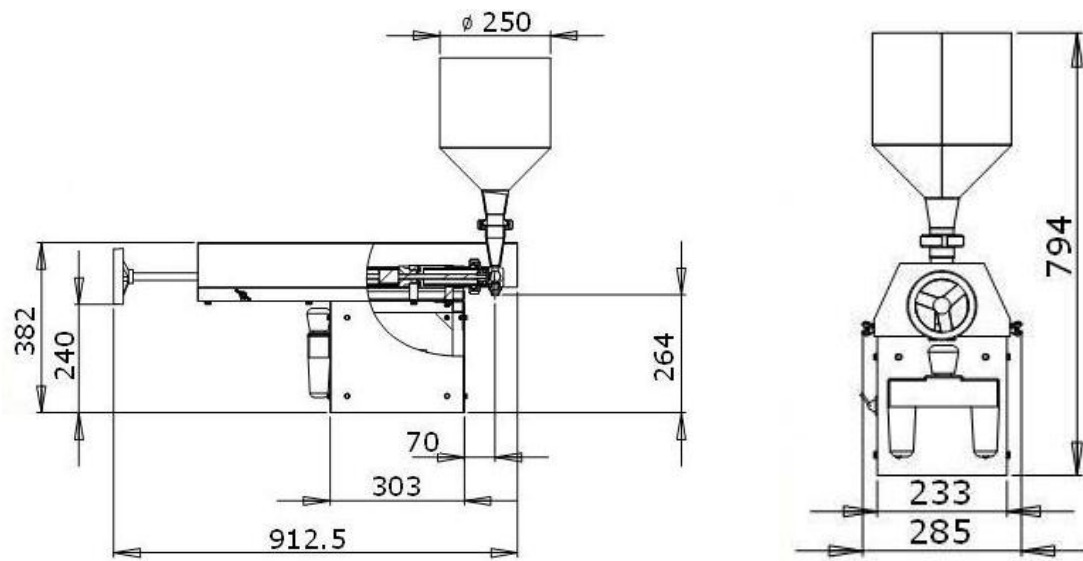
We are able to manufacture dosers with different volumes according to clients' requirement.

The machine is entirely made of stainless steel 1.4301.



## DAIRY PROCESSING EQUIPMENT

---



### DOSER FOR PASTA PRODUCTS

Art. No	61.2734.10	61.2734.10
Dimensions (L, B, H - mm)	920/290/80	855/1500/310
Tank capacity (l)	11	20
Volume of the dosing product (m <sup>3</sup> )	0,0001	0,0009
Working pressure (Mpa)	0,6	0,6
Power supply	3x400 V/50 Hz	3x400 V/50 Hz



Volume 0,0009 m<sup>3</sup>