

HYGIENE EQUIPMENT

COMPACT HYGIENE STATION WITH DISINFECTION BATH 10.4200.00

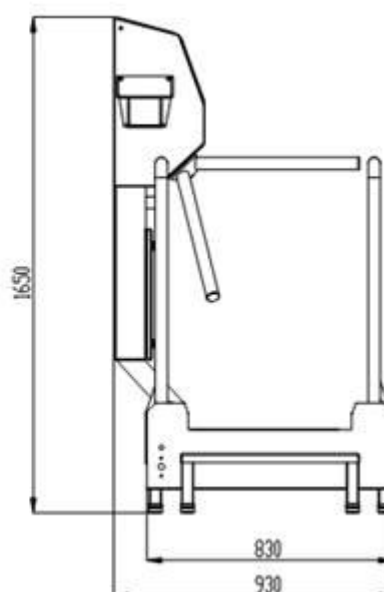
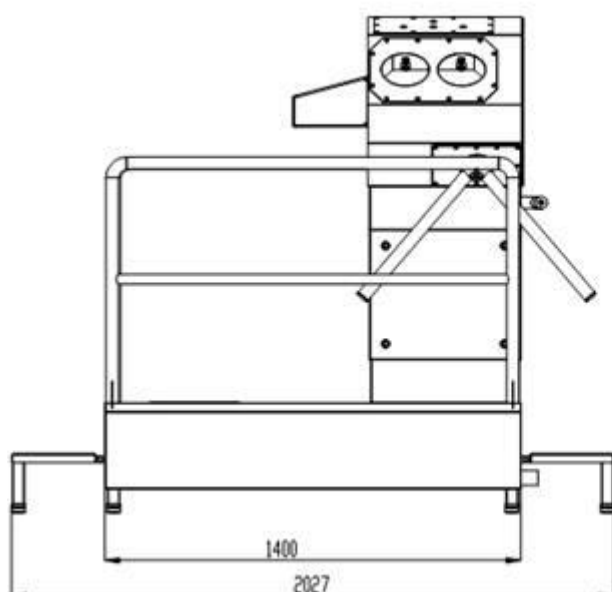
The machine is designated for personal hygienic control when entering in and going out of working areas – disinfection of sole and hands.

It consists of a hand disinfection unit with a turn style and active (automatic level support) sole disinfection bath with drip-off zone. Entrance control – by hand disinfection unit.

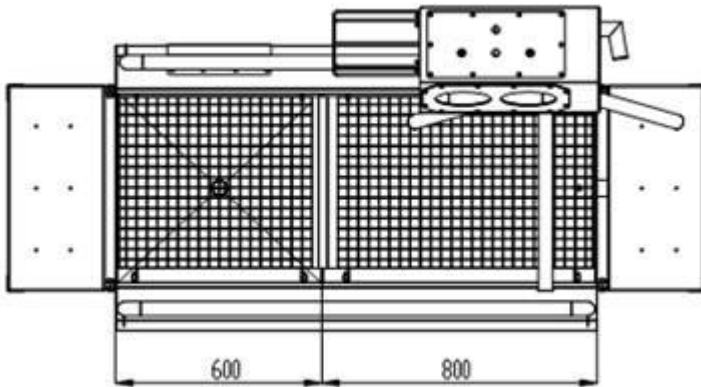
When entering in working area – the correct placing of both hands in the disinfectant unlocks the turn style of $\frac{1}{3}$ turnover. When going out of working area, a photocell unlocks the turn style of $\frac{1}{3}$ turnover. A programmable controller SIEMENS, which allows adjustment of working programs in a wide range, is used for station control.

The station can be left or right execution. The turn style rotation can be one-ways (entrance only).

The machine complies with the Council Directives No. 2006/42/EC and 2006/95/EC and USDA regulations.



HYGIENE EQUIPMENT

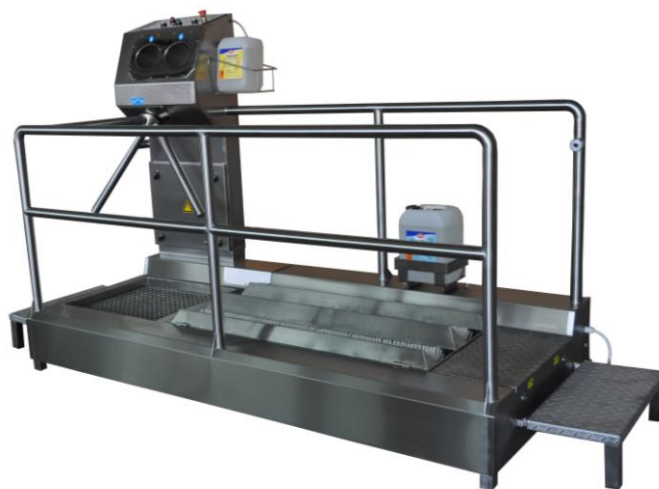


Technical data:

Power supply	V/Hz	230/50
Control voltage	V	24 DC
Installed power	W	~ 140
Water supply	bar	min 2
Water outlet	mm	Ø50
Weight	kg	~155
Passing time	sec	~ 5

Dimensions:

Length of body (without steps)	mm	1400
Total length	mm	2027
Length of sole disinfection bath	mm	600
Length of drip-off zone	mm	800
Total width	mm	930
Total height	mm	1650



10.4311.11 – with 1100 mm brushes and disinfection bath

HYGIENE EQUIPMENT

COMPACT HYGIENE STATION WITH SOLE DISINFECTION BATH

Art. No	10.4201.00	10.4200.00	10.2201.00	10.2200.00	10.4200.14
Dimensions (L,W,H mm)	2060/930/1650		2060/930/1650		2060/950/1650
Hand disinfection unit/sink	yes/no		yes/no		yes/no
Turn style/gate	yes/no		yes/no		yes/no
Disinfection bath/drip-off zone	yes/yes		yes/yes		yes/yes
Brushes - soles/boots (length of horizontal/height of vertical in mm)	no/no		no/no		no/no
One-way/two-ways	two-ways		one-way		two-ways
Execution left/right	right	left	right	left	left
Floor fixation/wall installation	yes/no		yes/no		yes/no
Passing time (sec)	~5		~5		~5
Instaled power (kW)	~0,14		~0,14		~0,14
Power supply - electricity/water/drain	230 V / 50 Hz min. 2 bar water drain DN50		230 V / 50 Hz min. 2 bar water drain DN50		230 V / 50 Hz min. 2 bar water drain DN50
Miscellaneous					expanded body - inside are placed the detergents containers

Art. No	10.4200.72	10.4311.11	10.4311.31
Dimensions (L,W,H mm)	1830/930/1640	2830/960/1585	2425/960/1585
Hand disinfection unit/sink	yes/no	yes/no	yes/no
Turn style/gate	yes/no	yes/no	yes/no
Disinfection bath/drip-off zone	yes/yes	yes/no	yes/no
Brushes - soles/boots (length of horizontal/height of vertical in mm)	no/no	2x1100/no	2x700/no
One-way/two-ways	two-ways	two-ways	two-ways
Execution left/right	left	left	right
Floor fixation/wall installation	yes/no	yes/no	yes/no
Passing time (sec)	~5	~9	~9
Instaled power (kW)	~0,14	~0,9	~ 0.6
Power supply - electricity/water/drain	230 V / 50 Hz min. 2 bar water drain DN50	3x400 V / 50 Hz min. 2 bar water drain DN50	3x400 V / 50 Hz min. 2 bar water drain DN50
Miscellaneous	short body	with brushes	steps are made like a grid