

MEAT PROCESSING EQUIPMENT

BRINE MIXER 61.1201.00

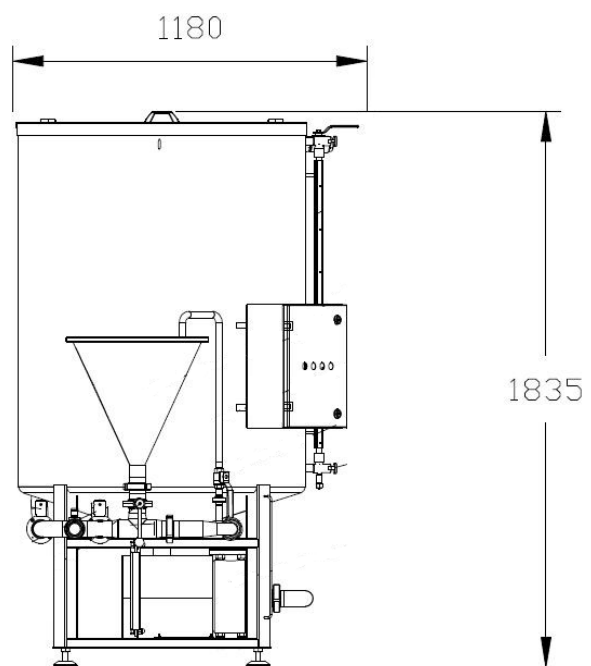
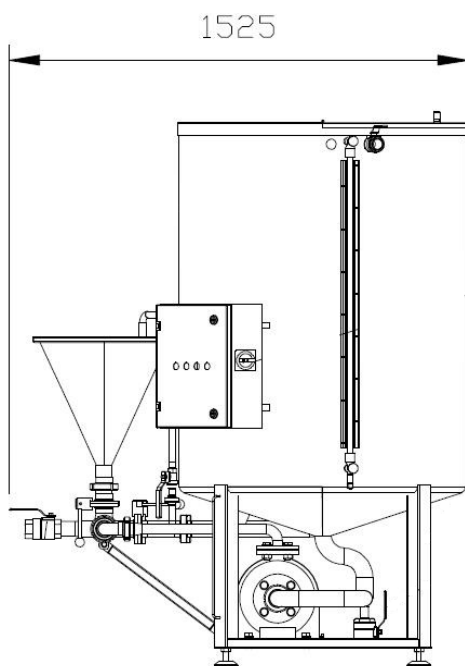
The machine is designed for preparation of homogenous saline solution used in meat processing.

It is made entirely of stainless steel, 1.4301 DIN (AISI 304) grade with permission for contact with food - according to the standard.

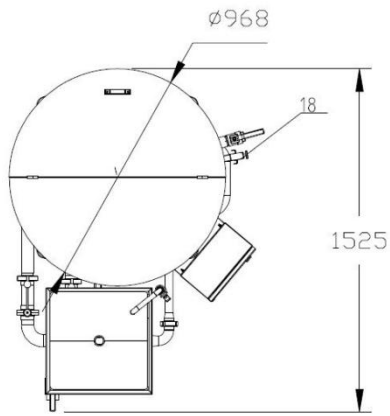
The tank is filled with the necessary water quantity. The salt is added into a hopper and after pressing the Mix button, component mixing is started. Mixing time can be adjusted.

Different mixer sizes are available to suit customer needs.

The machine complies with the Council Directives 2006/42/EC and 2006/95/EC and USDA regulations.



MEAT PROCESSING EQUIPMENT



Technical data:

Supply voltage	V/Hz	400(3L, N, PE)50Hz
Total installed power	kW	2.3
Pump	kW	2.2
Pump capacity	m ³ /h	15
Capacity	L	1000

Dimensions:

Length	mm	1 150
Width	mm	1 500
Height	mm	2 080



61.1212.00 - 500 L

MEAT PROCESSING EQUIPMENT

BRINE MIXER

Art. Nº	61.1201.00	61.1207.50	61.1221.00	61.1207.25
Dimensions (L, W, H - mm)	1140/1525/2140	996/1370/1757	1140/1525/1836	1220/930/1355
Capacity (L)	1000	500	800	250
Pump	2,2 kW/3.2bar/12 m ³ /h	1,5 kW/3 bar/15 m ³ /h	2,2 kW/3.2bar/12 m ³ /h	0,75 kW/3,2 bar/6,6 m ³ /h
Total installed power (kW)	2,3	1,6	2,3	0,85
Supply -electricity/water/outlet	3x400 V,50Hz/water min. 3 bar/outlet DN50	3x400 V,50Hz/water min. 3 bar/outlet DN50	3x400 V,50Hz/water min. 3 bar/outlet DN50	3x400 V,50Hz/water min. 3 bar/outlet DN50