
WASHING EQUIPMENT

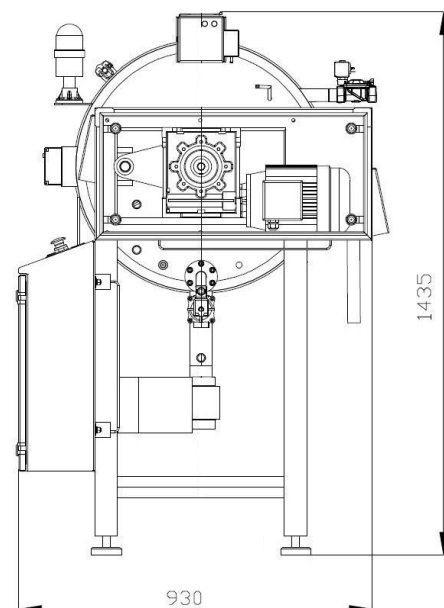
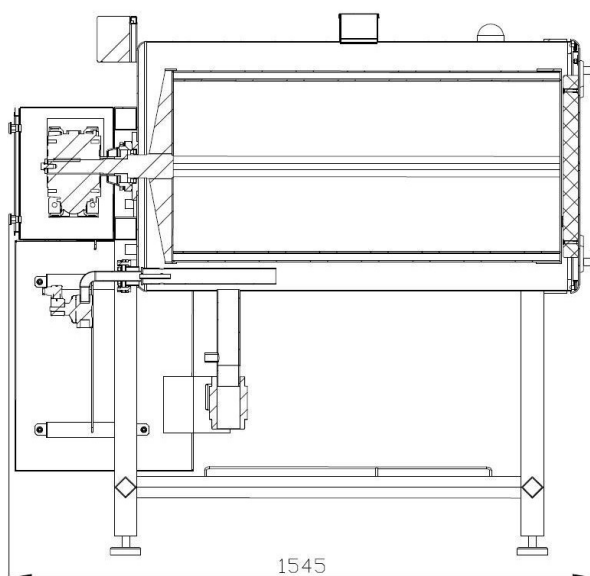
AUTOMATIC WASHING MACHINE FOR SMOKING STICKS

This machine is designated for washing of smoking sticks. It is made entirely of stainless steel type DIN 1.4301 (AISI 304) grade with permission for contact with food – according to the standard

It consist of a drum for washing and rising and a control panel for managing process. Loading the sticks into the washing chamber is manually and must be max. 2/3 of the capacity of the drum, for sticks good cleaning.

Water is heated by electric heaters, a steam injector, or hot water (provided by the client) is directly fed into the machine.

The filling, detergent dosing, washing, rinsing and used water draining processes, are carried out automatically. The duration and temperature of washing and rinsing are adjustable.



WASHING EQUIPMENT



23.0210.00 – hot water heating



23.2210.00 – heating electricity

WASHING MACHINE FOR SMOKING STICKS

Art. No.	23.1200.00	23.2210.00	23.1210.00	23.0210.00
Dimensions (L,W,H-mm)	1600/915/1470	1530/930/1435	1545/930/1432	1540/930/1430
Designation	smoking sticks	smoking sticks	smoking sticks	smoking sticks
Capacity- pcs/h*	250	500	500	500
Dosing	no	yes	yes	yes
Heating	steam	electricity	steam	Hot water - 60° provided by the client
Motor-reduction unit	1,1	1,1	1,1	1,1
Installed power - kW	1,2	62	1,2	1,2
Power supply - electricity/water/steam/compressed air/drain	3x400 V/50Hz Water min. 3 bar, drain DN 50, steam 3-10 bar/135°C	3x400 V/50Hz Water min. 3 bar, drain DN 50	3x400 V/50Hz Water min. 3 bar, drain DN 50, steam 3-10 bar/135°C	3x400 V/50Hz Water min. 3 bar, drain DN 50
Miscellaneous	Manual feeding and draining of water, detergent dosing, starting of the washing and rinsing processes			